

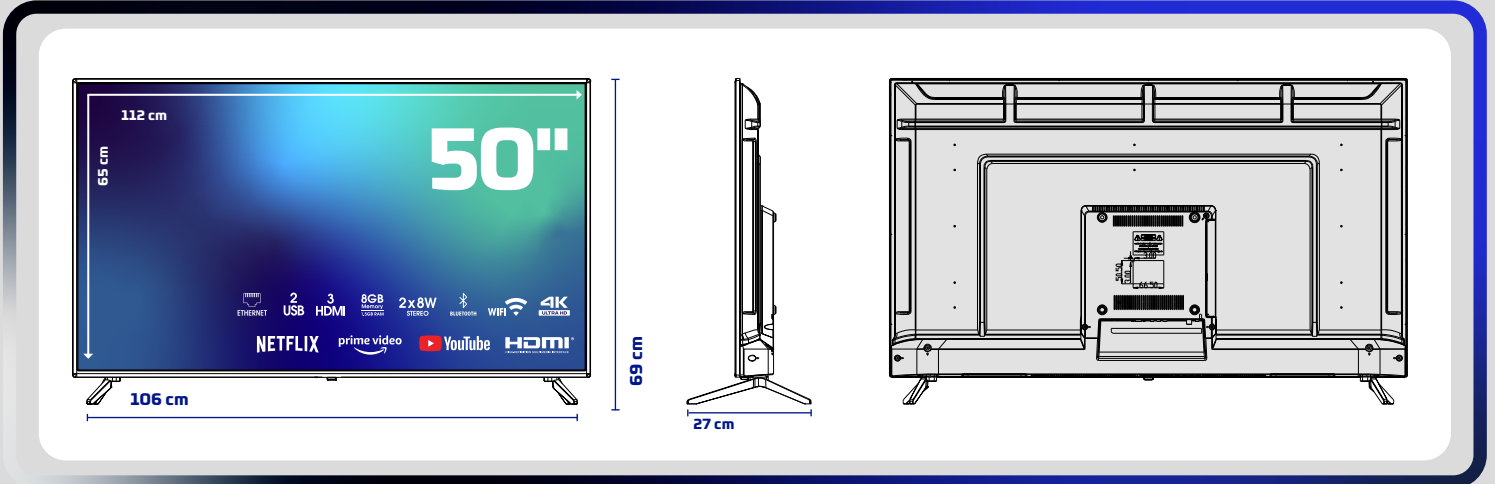


Skytech

PRODUCT INTRODUCTION FORM

50ST2104 4K ANDROID LED TV

PRODUCT IMAGES



PRODUCT TECHNICAL SPECIFICATIONS

Screen

50" 4K Android LED TV

3840x2160 Resolution

Framed Screen

A Class 16:9 DLED Screen

Smart TV and System Features

Android Operation System

1,5 GB RAM

8 GB Internal Memory

Multi-Language Supported OSD

Sound

2x10W Audio Output Power (RMS)

Multiple Sound Modes (Cinema, Music, etc.)

Links

WiFi & LAN Connection - Bluetooth Function

DVB S/S2/C/T/T2 Suitable for Publications

1xTerrestrial Antenna (RF) Input - 1xMini AV

3xHDMI - 2xUSB - 1xAV - 1xLNB - 1xVGA

1xCI Module Input - 1xMini Component Input

1xRJ45 Ethernet Input - 1xDigital Audio Out.

Power/Energy

G Energy Class

<1W Energy Consumption in Standby Mode.

71 (kWh/ 1000h) Energy Consumption

95 (kWh/ 1000h) HDR Energy Consumption

Video

Display Modes (Vivid, Normal, Sports, etc.)

4K

Accessories

Smart Remote Control - Quick Start Guide

PRODUCT AND PACKAGING DIMENSIONS INFORMATION

Packaging Size : 1195mm x 138mm x 740mm

Product Gross Weight : 11.935 kg

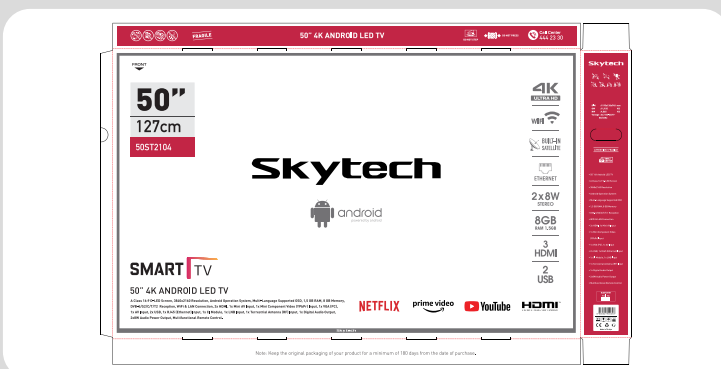
Product Net Weight : 9.565 kg

WESA Compliance : 200mm x 200mm

EAN Code : 8680621550393

Origin : Türkiye

PRODUCT PACKAGING WORK



REMOTE CONTROL

