

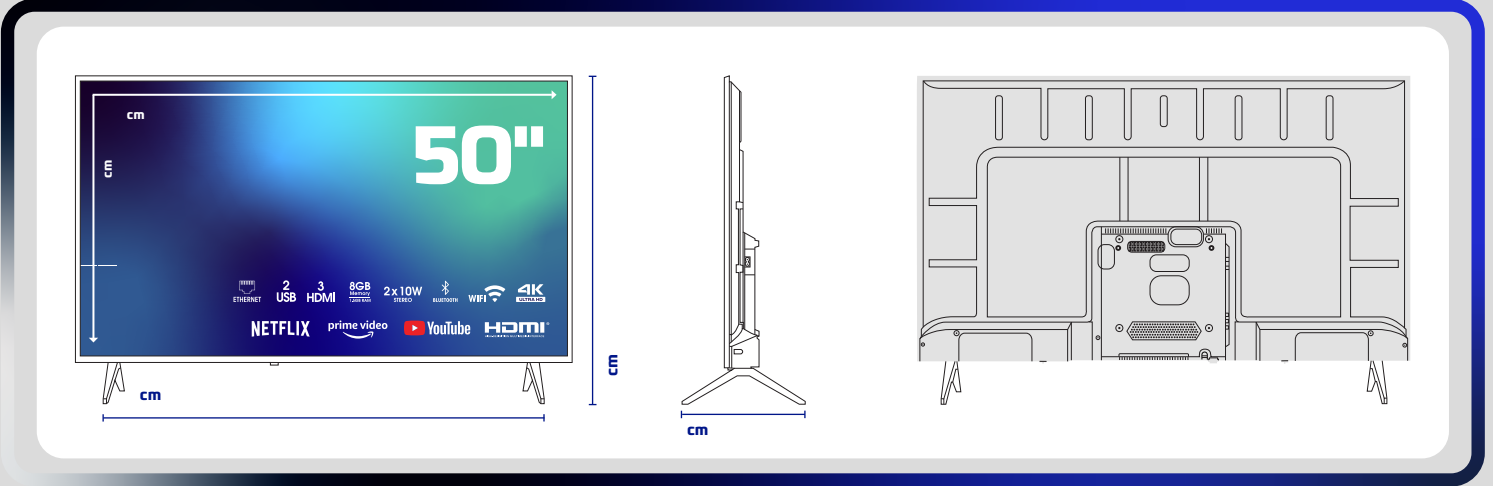


Skytech

PRODUCT INTRODUCTION FORM

50ST1104 4K ANDROID LED TV

PRODUCT IMAGES



PRODUCT TECHNICAL SPECIFICATIONS

Screen

50" 4K Android LED TV

3840x2160 Resolution

Framed Screen

A Class 16:9 DLED Screen

Smart TV and System Features

Android Operation System

1.5 GB RAM

8 GB Internal Memory

Multi-Language Supported OSD

Sound

2x10W Audio Output Power (RMS)

Multiple Sound Modes (Cinema, Music, etc.)

Links

WiFi & LAN Connection - Bluetooth Function

DVB S/S2/C/T/T2 Suitable for Publications

1xTerrestrial Antenna (RF) Input

3xHDMI - 2xUSB - 1xAV Input - 1xLNB Input

1xCI Module Input - 1xRJ45 Ethernet Input

1xDigital Audio Output

Power/Energy

E Energy Class

<1W Energy Consumption in Standby Mode.

53 (kWh/ 1000h) Energy Consumption

54 (kWh/ 1000h) HDR Energy Consumption

Video

Display Modes (Vivid, Normal, Sports, etc.)

4K

Accessories

Smart Remote Control - Quick Start Guide

PRODUCT AND PACKAGING DIMENSIONS INFORMATION

Packaging Size : 1205mm x 120mm x 715mm

Product Gross Weight : 11.095 kg

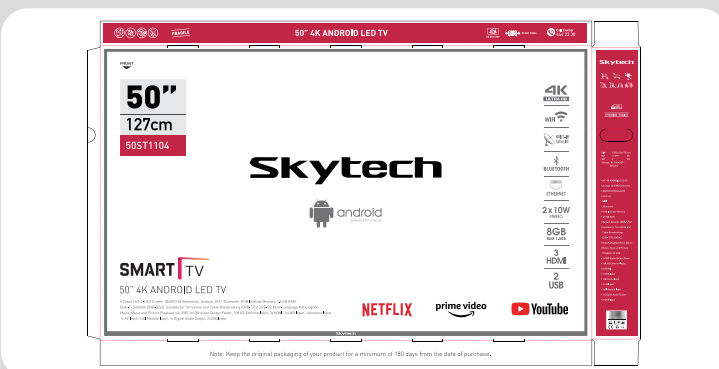
Product Net Weight : 9 kg

WESA Compliance : 200mm x 200mm

EAN Code : 8680621510236

Origin : Türkiye

PRODUCT PACKAGING WORK



REMOTE CONTROL

