

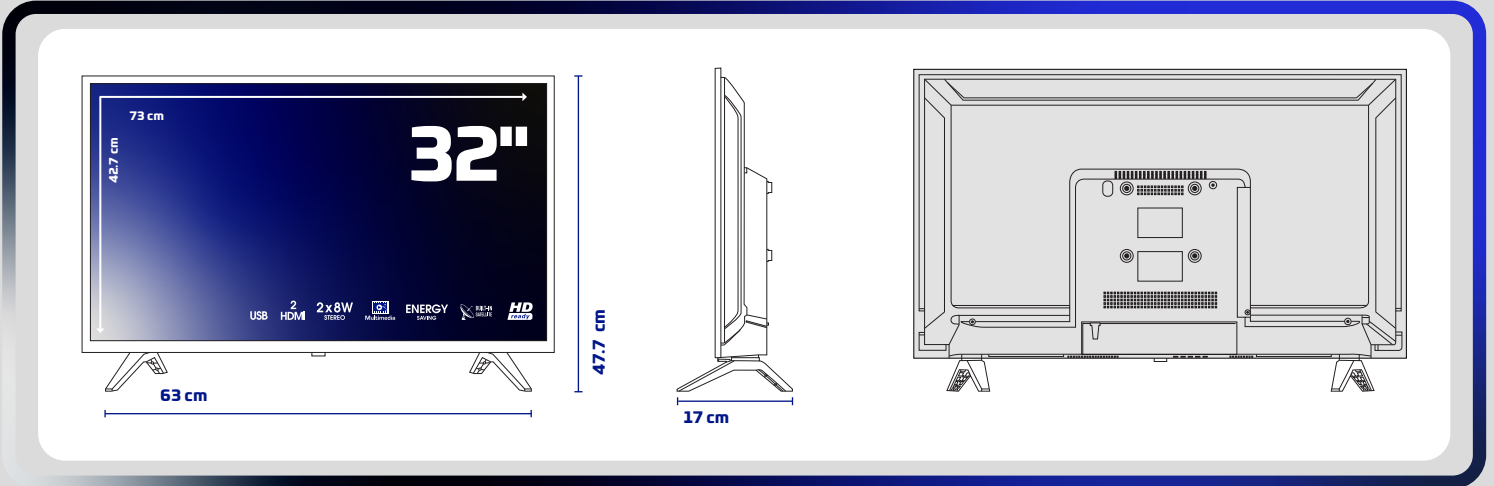


Skytech

PRODUCT INTRODUCTION FORM

32ST2000 LED TV WITH SATELLITE RECEIVER

PRODUCT IMAGES



PRODUCT TECHNICAL SPECIFICATIONS

Screen

32" HD READY LED TV

1366x768 Resolution

Framed Screen

A Class 16:9 DLED Screen

Satellite Receiver LED TV System Features

Operating System with Satellite Receiver

Multi-Language Supported OSD

Movie, Music and Picture

Playback via USB

Sound

2x8W Audio Output Power (RMS)

Multiple Sound Modes (Cinema, Music, etc.)

Links

DVB S/S2/C/T/T2 Suitable for Publications

1xTerrestrial Antenna (RF) Input - 1xLNB

1xAV Input - 1xMini AV Input - 1xCI Module

2xHDMI - 1xUSB - 1xScart Input

1xMini Component (YPbPr) Input

1xDigital Audio Output - 1xHeadphone Out.

Power/Energy

F Energy Class

<1W Energy Consumption in Standby Mode.

27 (kWh/ 1000h) Energy Consumption

Video

Display Modes (Vivid, Normal, Sports, etc.)

HD READY

Accessories

Multifunctional Remote Control

Quick Start Guide

PRODUCT AND PACKAGING DIMENSIONS INFORMATION

Packaging Size : 795mm x 115mm x 492mm

Product Gross Weight : 4.913 kg

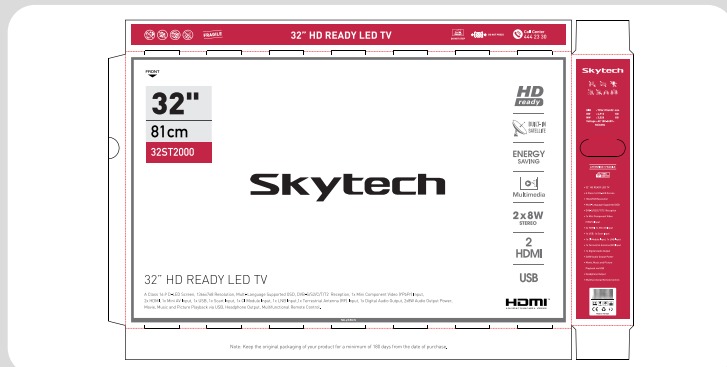
Product Net Weight : 3.528 kg

WESA Compliance : 200mm x 200mm

EAN Code : 8680621532399

Origin : Türkiye

PRODUCT PACKAGING WORK



REMOTE CONTROL

