

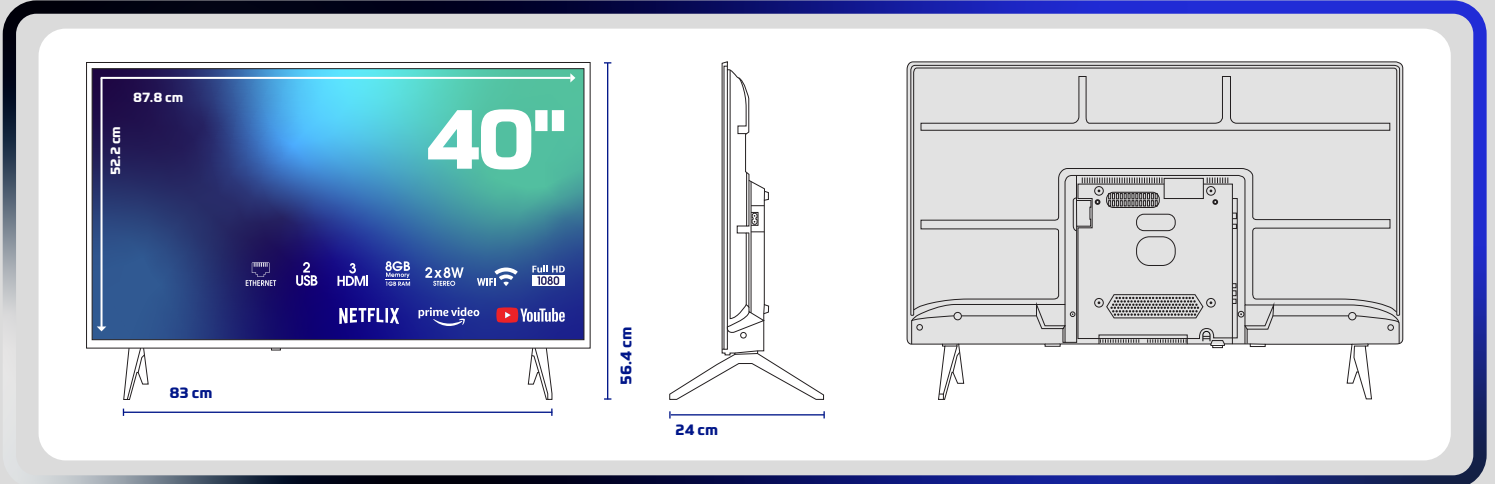


Skytech

PRODUCT INTRODUCTION FORM

40ST1102 FULL HD ANDROID LED TV

PRODUCT IMAGES



PRODUCT TECHNICAL SPECIFICATIONS

Screen

40" FULL HD Android LED TV

1920x1080 Resolution

Framed Screen

A Class 16:9 DLED Screen

Smart TV and System Features

Android Operation System

1 GB RAM

8 GB Internal Memory

Multi-Language Supported OSD

Sound

2x8W Audio Output Power (RMS)

Multiple Sound Modes (Cinema, Music, etc.)

Links

WiFi & LAN Connection

DVB S/S2/C/T/T2 Suitable for Publications

1xTerrestrial Antenna (RF) Input - 1xLNB

3xHDMI - 2xUSB - 1xAV Input

1xCi Module Input - 1xRJ45 Ethernet Input

1xDigital Audio Output

Power/Energy

E Energy Class

<1W Energy Consumption in Standby Mode.

36 (kWh/ 1000h) Energy Consumption

Video

Display Modes (Vivid, Normal, Sports, etc.)

FULL HD

Accessories

Multifunctional Remote Control

Quick Start Guide

PRODUCT AND PACKAGING DIMENSIONS INFORMATION

Packaging Size : 985mm x 120mm x 570mm

Product Gross Weight : 7.512 kg

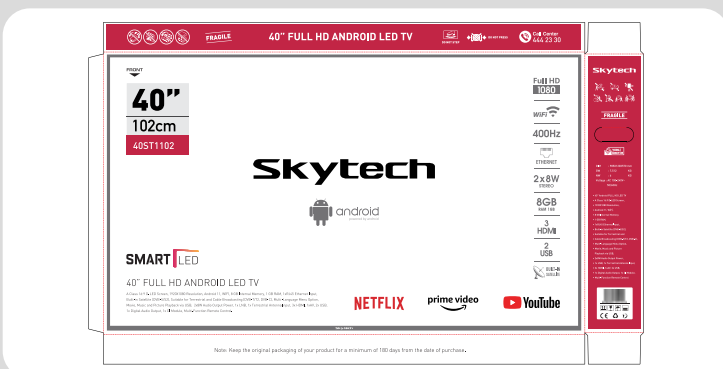
Product Net Weight : 6.0 kg

WESA Compliance : 200mm x 200mm

EAN Code : 8680621510212

Origin : Türkiye

PRODUCT PACKAGING WORK



REMOTE CONTROL

