

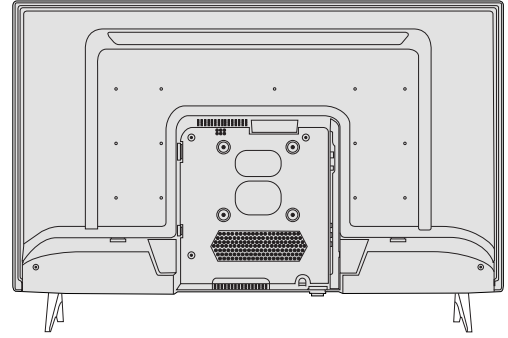
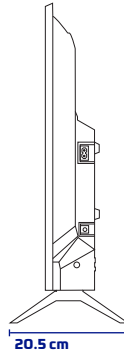


Skytech

PRODUCT INTRODUCTION FORM

32ST1001 LED TV WITH SATELLITE RECEIVER

PRODUCT IMAGES



PRODUCT TECHNICAL SPECIFICATIONS

Screen

32" HD Ready LED TV

1366x768 Resolution

Framed Screen

A Class 16:9 DLED Screen

Satellite Receiver LED TV System Features

Operating System with Satellite Receiver

Multi-Language Supported OSD

Movie, Music and Picture

Playback via USB

Sound

2x8W Audio Output Power (RMS)

Multiple Sound Modes (Cinema, Music, etc.)

Links

DVB S/S2/C/T/T2 Suitable for Publications

1xTerrestrial Antenna (RF) Input

1xAV Input - 1xLNB Input

3xHDMI - 2xUSB

1xCI Module Input - 1xHeadphone Output

1xDigital Audio Output

Power/Energy

E Energy Class

<1W Energy Consumption in Standby Mode.

26 (kWh/ 1000h) Energy Consumption

Video

Display Modes (Vivid, Normal, Sports, etc.)

HD READY

Accessories

Multifunctional Remote Control

Quick Start Guide

PRODUCT AND PACKAGING DIMENSIONS INFORMATION

Packaging Size : 770mm x 120mm x 495mm

Product Gross Weight : 5.2 kg

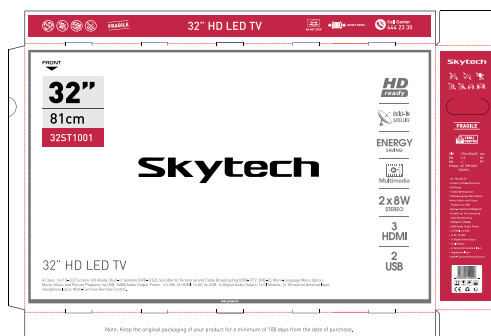
Product Net Weight : 4.0 kg

WESA Compliance : 200mm x 200mm

EAN Code : 8680621510298

Origin : Türkiye

PRODUCT PACKAGING WORK



REMOTE CONTROL

