

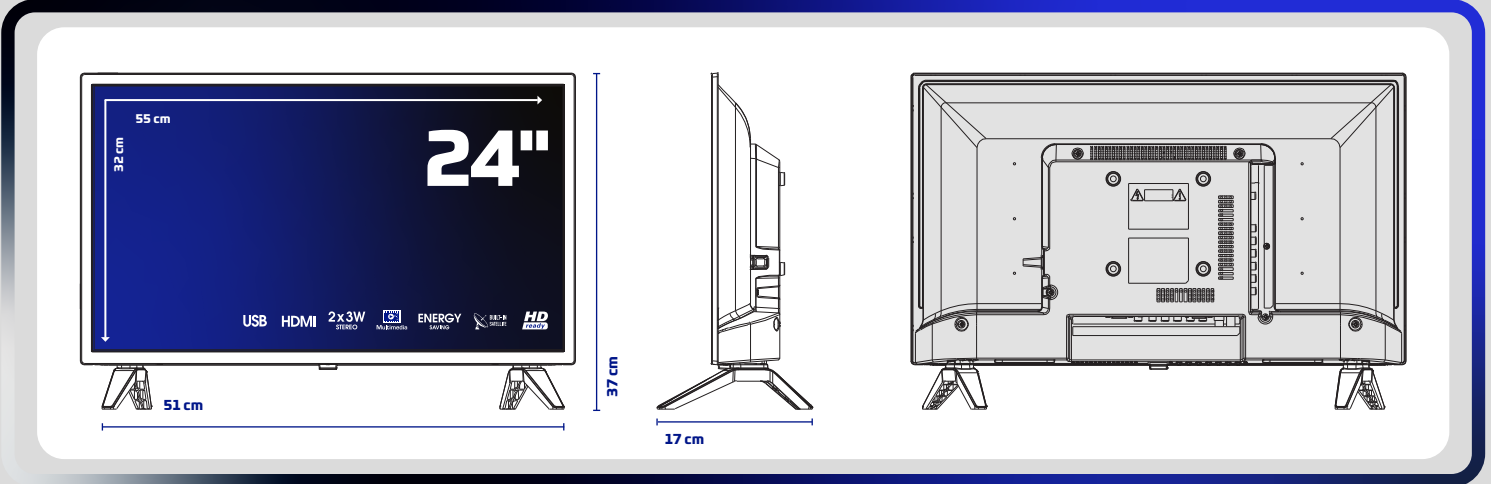


Skytech

PRODUCT INTRODUCTION FORM

24ST2000 LED TV WITH SATELLITE RECEIVER

PRODUCT IMAGES



PRODUCT TECHNICAL SPECIFICATIONS

Screen

24" HD Ready LED TV

1366x768 Resolution

Framed Screen

A Class 16:9 DLED Screen

Satellite Receiver LED TV System Features

Operating System with Satellite Receiver

Multi-Language Supported OSD

Movie, Music and Picture

Playback via USB

Sound

2x3W Audio Output Power (RMS)

Multiple Sound Modes (Cinema, Music, etc.)

1xPC Audio Input

Links

DVB S/S2/C/T/T2 Suitable for Publications

1xTerrestrial Antenna (RF) Input

1xAV Input - 1xLNB Input - 1xVGA Input

1xHDMI - 1xUSB - 1xHeadphone Output

1xDigital Audio Output - 1xCI Module Input

Power/Energy

E Energy Class

<1W Energy Consumption in Standby Mode.

16 (kWh/ 1000h) Energy Consumption

Video

Display Modes (Vivid, Normal, Sports, etc.)

HD READY

Accessories

Multifunctional Remote Control

Quick Start Guide

PRODUCT AND PACKAGING DIMENSIONS INFORMATION

Packaging Size : 595mm x 125mm x 397mm

Product Gross Weight : 3.210 kg

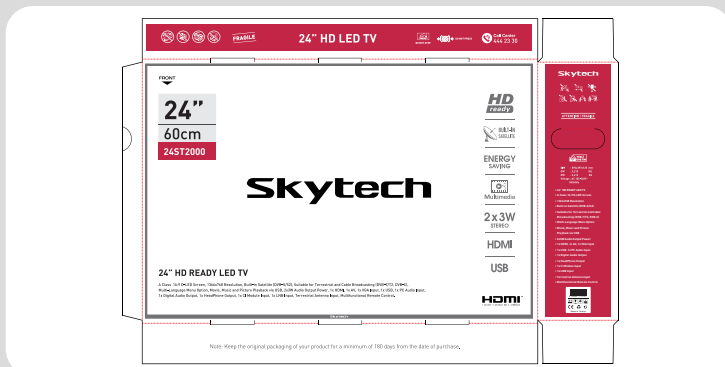
Product Net Weight : 2.412 kg

WESA Compliance : 200mm x 200mm

EAN Code : 8680621510755

Origin : Türkiye

PRODUCT PACKAGING WORK



REMOTE CONTROL

