

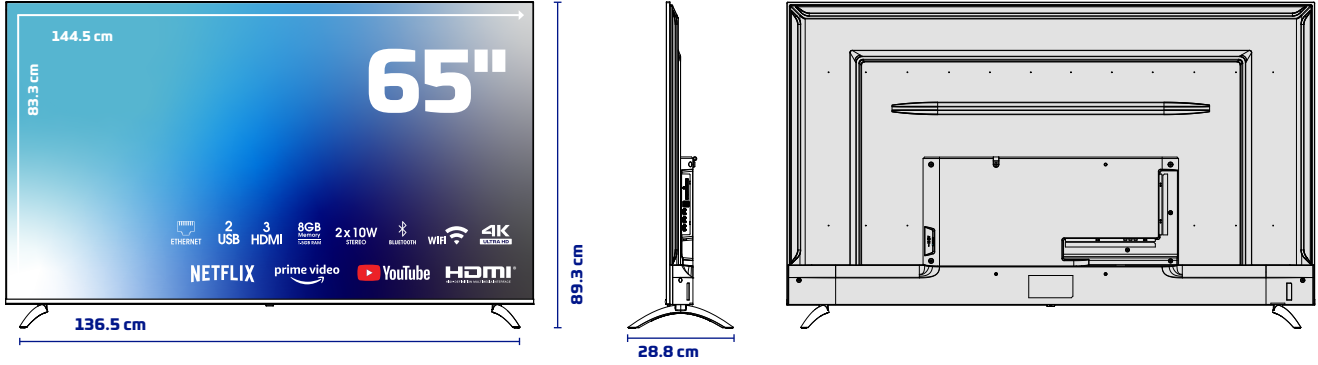


Skytech

PRODUCT INTRODUCTION FORM

65ST1405 4K LED TV

PRODUCT IMAGES



PRODUCT TECHNICAL SPECIFICATIONS

Screen

65" 4K Android LED TV

3840x2160 Resolution

Frameless Screen

A Class 16:9 DLED Screen

Smart TV and System Features

Android Operation System

1.5 GB RAM

8 GB Internal Memory

Multi-Language Supported OSD

Sound

2x10W Audio Output Power (RMS)

Multiple Sound Modes (Cinema, Music, etc.)

Links

WiFi & LAN Connection - Bluetooth Function

DVB S/S2/C/T/T2 Suitable for Publications

1xTerrestrial Antenna (RF) Input

3xHDMI - 2xUSB - 1xAV Input - 1xLNB Input

1xCI Module Input - 1xRJ45 Ethernet Input

1xDigital Audio Output

Power/Energy

E Energy Class

<1W Energy Consumption in Standby Mode.

101 (kWh/ 1000h) Energy Consumption

101 (kWh/ 1000h) HDR Energy Consumption

Video

Display Modes (Vivid, Normal, Sports, etc.)

4K

Accessories

Smart Remote Control - Quick Start Guide

PRODUCT AND PACKAGING DIMENSIONS INFORMATION

Packaging Size : 1600mm x 140mm x 930mm

Product Gross Weight : 22.4 kg

Product Net Weight : 17.1 kg

WESA Compliance : 200mm x 200mm

EAN Code : 8684483720369

Origin : Türkiye

PRODUCT PACKAGING WORK

REMOTE CONTROL

