

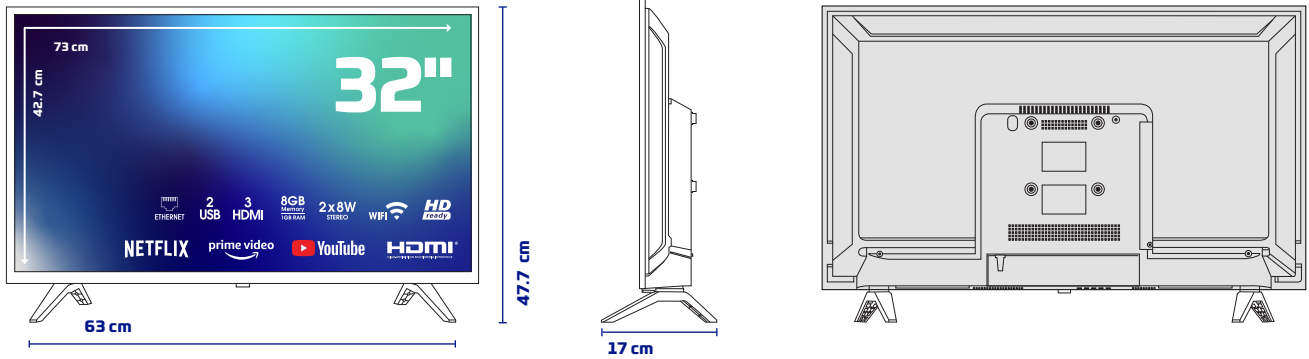


# Skytech

## PRODUCT INTRODUCTION FORM

## 32ST2100 HD READY ANDROID LED TV

### PRODUCT IMAGES



### PRODUCT TECHNICAL SPECIFICATIONS

#### Screen

32" HD READY Android LED TV

1366x768 Resolution

Framed Screen

A Class 16:9 DLED Screen

#### Smart TV and System Features

Android Operation System

1 GB RAM

8 GB Internal Memory

Multi-Language Supported OSD

#### Sound

2x8W Audio Output Power (RMS)

Multiple Sound Modes (Cinema, Music, etc.)

#### Links

WIFI & LAN Connection

DVB S/S2/C/T/T2 Suitable for Publications

1xTerrestrial Antenna (RF) Input - 1xLNB

3xHDMI - 2xUSB - 1xAV Input

1xCI Module Input - 1xRJ45 Ethernet Input

1xDigital Audio Output - 1xHeadphone Out.

#### Power/Energy

F Energy Class

<1W Energy Consumption in Standby Mode.

27 (kWh/ 1000h) Energy Consumption

#### Video

Display Modes (Vivid, Normal, Sports, etc.)

HD READY

#### Accessories

Multifunctional Remote Control

Quick Start Guide

### PRODUCT AND PACKAGING DIMENSIONS INFORMATION

Packaging Size : 795mm x 115mm x 492mm

Product Gross Weight : 4.913 kg

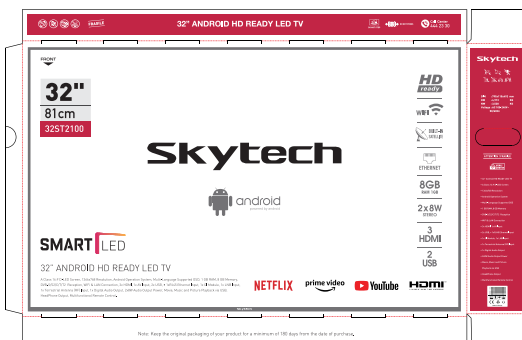
Product Net Weight : 3.528 kg

WESA Compliance : 200mm x 200mm

EAN Code : 8680621532597

Origin : Türkiye

### PRODUCT PACKAGING WORK



### REMOTE CONTROL

